

### Popular Model Digital Force Gauge (with output)



#### [Application]

- Measuring strength of electronic parts bonding or soldering
- Measuring of contact press for touch panel or keyboard
- Pull test of wire harness terminal
- Pull test of pull top can or noodle container lid

#### [Feature]

- Digital display of tension and compression forces
- Peak hold function (capable of holding maximum force value) is installed for all models as the standard feature.
- Measuring units (kgf, N, lbf) are selectable.
- The display will flash when overload or low-battery condition is detected.
- Display can be reversed.
- Easy operation by big display and high usability operation panel.

## [DS2 Series specifications]

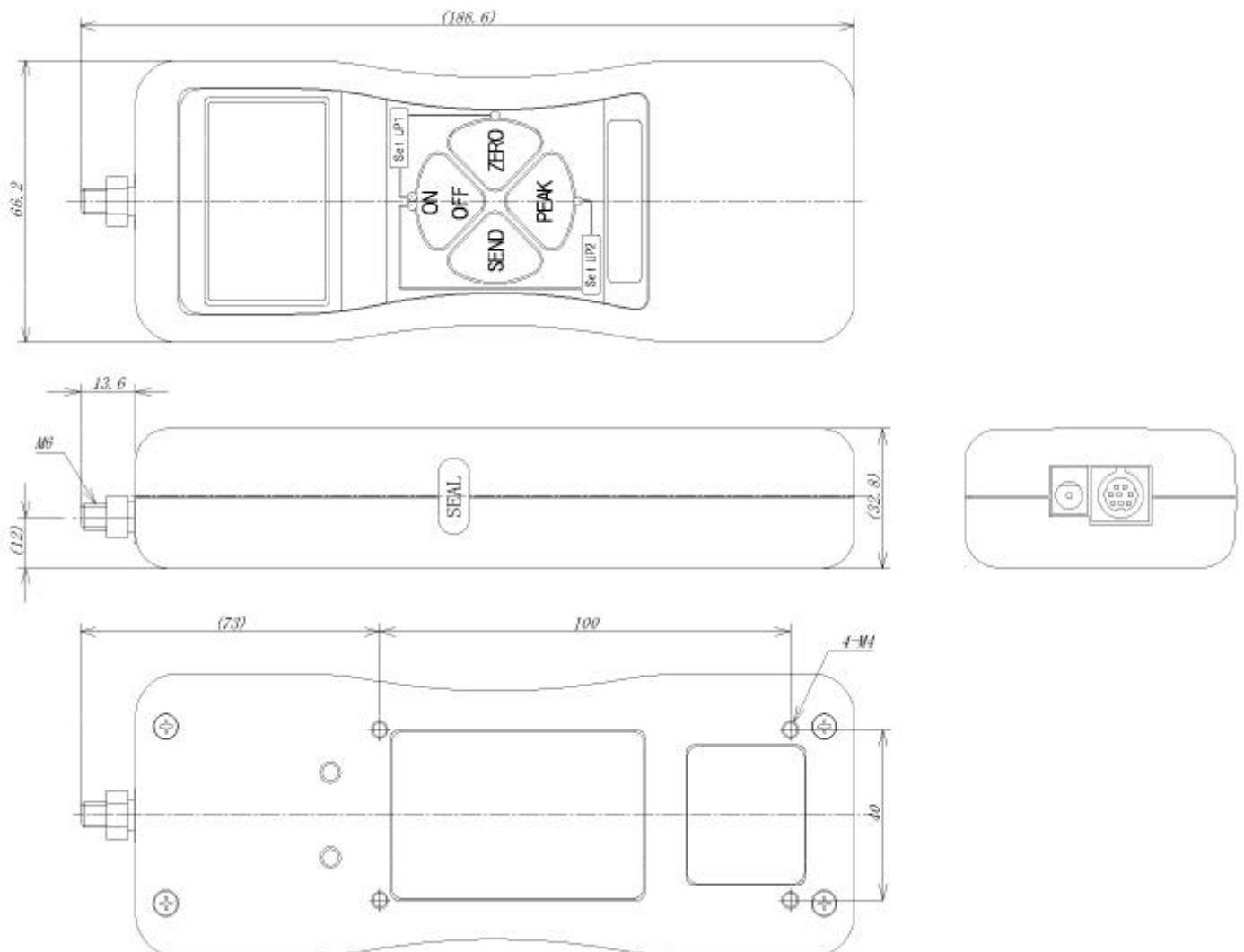
Model	DS2 series
Measuring units	kgf, N, lbf / gf, N, ozf (Selectable)
Display	4 digits LCD, Units, Mode, Warning
Accuracy	+/-0.2% of F.S. +/-1digit
Measurement method	Track or Peak mode
Measurement time	Maximam.1000 times / second
Display update	10 times / second
Overload capacity	~5N : 150% of F.S. (LCD blinks beyond 110%) 20N ~ : 200% of F.S. (LCD blinks beyond 110%)
Functions	Peak/Track measurement mode, display reverse, comparator, sampling speed selectable(2 steps)
Power supply	Rechargeable NiMH battery pack (4pcs) or AC adapter
Battery use time	10 hours of continuous operation
Operating temperature range	0 ~ + 40 degree Celsius
Weight	About 420 g
Output	Digital (Serial: RS232C) Mitutoyo Digimatic Analog (+/- 1 V F.S.)
Accessory	6 attachments AC adapter (100V, 120V, 230V available) *Note1 Carrying case

\*Note1) Since commercial power supply voltage varies in the area where the gauge is used, three types of voltage adapters are available. Please specify the confirmed voltage for the commercial power supply when you order.

## [Available models]

Model	Capacity	Display	Resolution
DS2-2N	2N (200 gf)	2.000N (200.0 gf)	0.001N (0.1 gf)
DS2-5N	5N (500 gf)	5.000N (500.0 gf)	0.001N (0.1 gf)
DS2-20N	20N (2 kgf)	20.00N (2.000 kgf)	0.01N (0.001kgf)
DS2-50N	50N (5 kgf)	50.00N (5.000 kgf)	0.01N (0.001kgf)
DS2-200N	200N (20 kgf)	200.0N (20.00 kgf)	0.1N (0.01kgf)
DS2-500N	500N (50 kgf)	500.0N (50.00 kgf)	0.1N (0.01kgf)
DS2-1000N	1000N (100 kgf)	1000N (100.0 kgf)	1N (0.1kgf)

## [Dimension]



## [Note]

- \*Do not apply excess force, torque, or impact on the measuring axis regardless to the power is on/off.
- \*Do not use the gauge under the condition of the rapid temperature changes, high temperature, high humidity, near water and dusty place.
- \*Keep the gauge in the exclusive carrying case when it is not used.
- \*The use of the test stand made by Imada is recommended for the stable measuring result.
- \*All information is subject to change without prior notice.